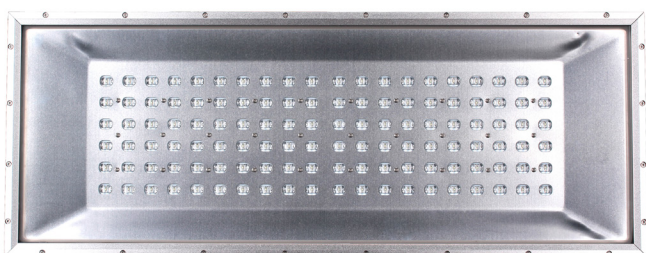


LED TUNNEL LAMP T120 (UEL240)

PRODUCT CODE: PH-T120 (UEL240)



Our LED Tunnel lamp is designed for commercial and industrial use, meeting each client's specific needs. Enhanced and durable structure provides the wide range of lighting angles as well as protection from overheating, voltage drops and mechanical damage.

Photon-L LED Tunnel lamp are a perfect solution for architectural lighting, billboards, gas stations, warehouses, airports, sport and concert halls, clubs and entertainment centers, industrial and shopping areas.

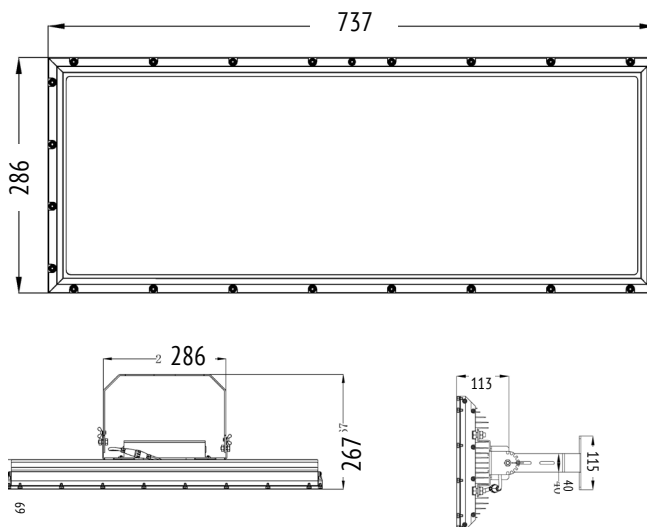
BENEFITS:

- Energy and money savings
- Durable design
- High efficiency performance of advanced LED technology
- Compatibility with the traditional lighting sources
- Easy installation

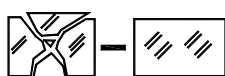
WARNINGS AND CAUTIONS

- Read this manual before using
- Cut off power before the installation. Risk of electric shock.
- The working voltage should not exceed the designated range.
- The fixture should not be installed near inflammable materials
- Installation should be performed by qualified personnel only.
- If the supply cable of this luminaire is damaged, it shall be exclusively replaced by the manufacturer or his service agent or a similar qualified person in order to avoid hazard.
- Suitable for indoor and outdoor use

DIMENSIONAL DRAWING



LAMP COVER:



Toughened glass, 200°C

CERTIFICATES OF COMPLIANCE



PACKAGE INCLUDES:

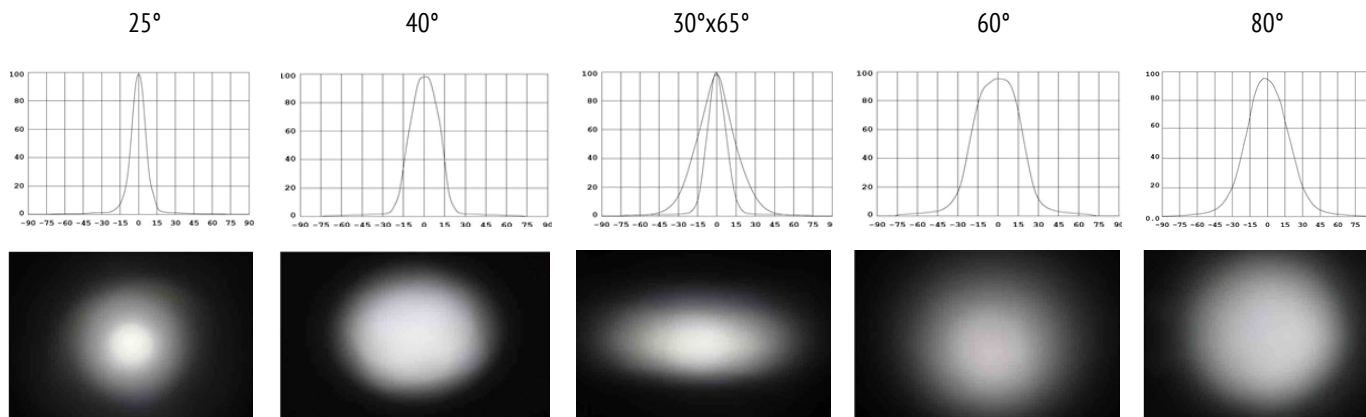
- LED Tunnel lamp T120 (UEL240) 1 pcs.
- Installation instruction 1 pcs.

SPECIFICATIONS

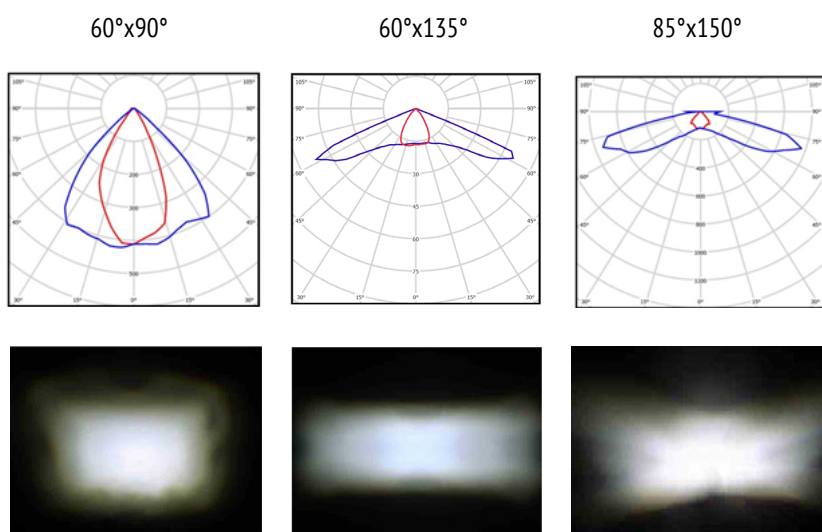
CHARACTERISTICS	UNITS	MIN	TYPICAL	MAX	
AC Input Voltage	V	100		240	
AC Frequency	Hz		50/60		
Power Consumption:	White, Royal Blue, Blue, Green		211		
	Amber, Red		100		
Efficiency	%		92		
Power Factor	-		0.97		
INITIAL LUMINOUS FLUX:		Lm	21600		
LUMINOUS FLUX:					
	Cool White		17000		
	Natural White		16500		
	Warm White		15400		
	Candent White		13000		
	Red	Lm	10000		
	Amber		10500		
	Green		14000		
	Blue		7500		
	Royal Blue		7000		
CORRELATED COLOR TEMPERATURE (CCT):					
	Cool White	K	5000	5700	7000
	Natural White		3700	4000	4300
	Warm White		2900	3200	3400
	Candent White		2600	2700	2900
COLOR RENDERING INDEX (CRI):					
	Cool White		75		
	Natural White		75		
	Warm White		85		
	Candent White		85		
WAVELENGTH:					
	Red	nm	620	-	630
	Amber		585	-	595
	Green		520	-	535
	Blue		465	-	480
	Royal Blue		450	-	465
Lifetime	hours		70 000		
Wind load area	sq. m.		0,204		
IP Code			67		
Storage temperature	°C	-40	-	+60	
Operating ambient temperature	°C	-40	-	+50	
Humidity	%	-	-	95	
Measures (L*W*H)	mm		737 x 286 x 267		
Carton size (L*W*H)	mm		815 x 380 x 200		
Mast mounting diameter (with optional thrust bearing)	mm	30	-	110	
Net weight	kg		13.0		
Gross weight	kg		14.4		

OPTICAL SPECIFICATIONS

LIGHT DISTRIBUTION CURVE IN CARTESIAN COORDINATE SYSTEM



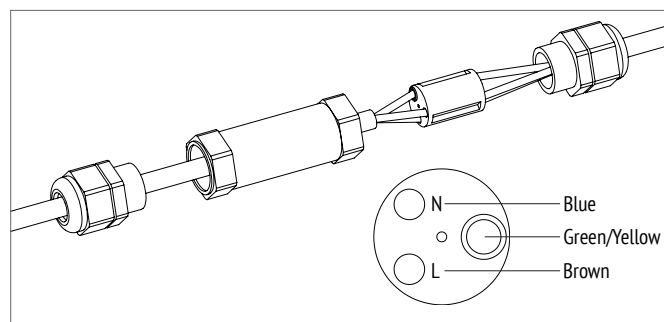
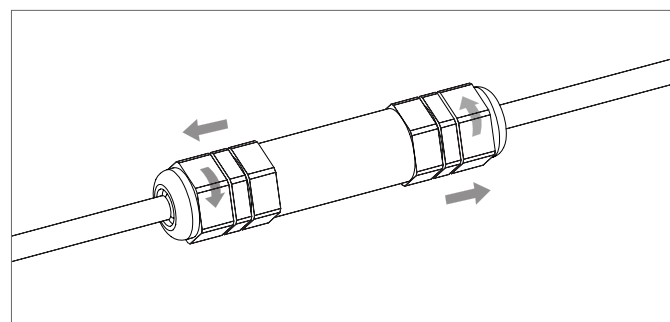
LIGHT DISTRIBUTION CURVE IN POLAR COORDINATE SYSTEM



LIGHT DISTRIBUTION ANGLES

Cone Angle	50% level	10% level
25°	14.1°	25.7°
40°	28.6°	40.5°
30° x 65°	22.3° x 47.1°	35.6° x 73.1°
60°	42.0°	66.3°
80°	41.5°	75.1°
60° x 90°	59° x 89°	-
60° x 135°	67° x 136°	-
85° x 150°	88° x 153°	-

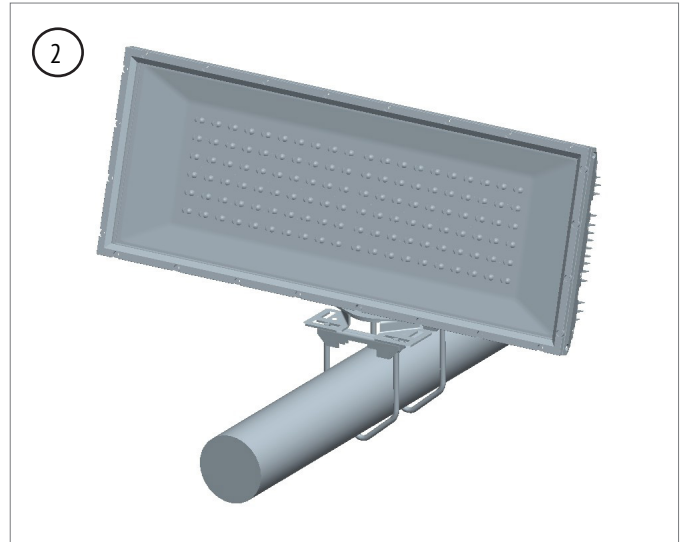
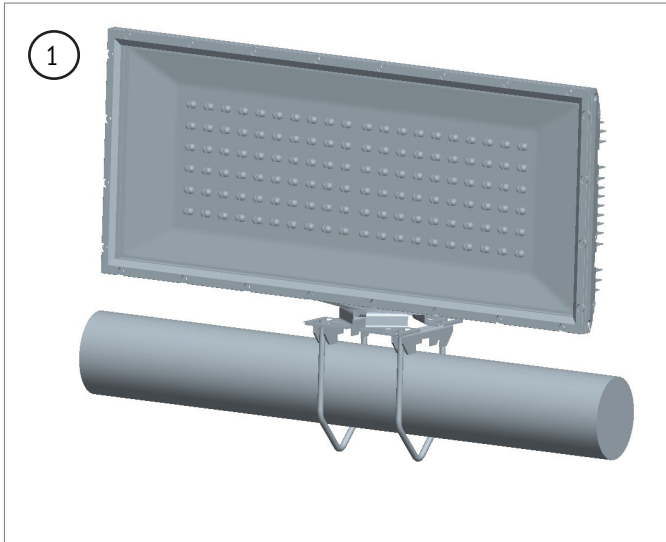
POWER LINE CONNECTING



- 1/ Release the nuts on waterproof case and take the connecting terminal out.
- 2/ Use a slotted screwdriver to release screws and respectively connect the **N** null line (blue wire), **L** live line (brown wire) and grounding line (yellow/green wire). Lock the screws.
- 3/ Put the connection terminal into waterproof case and fasten nuts.

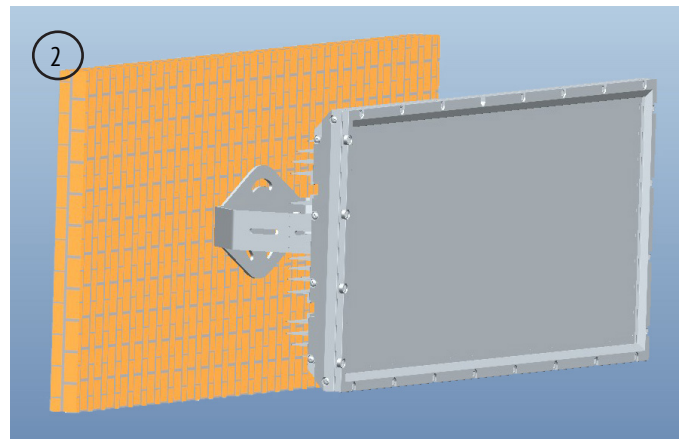
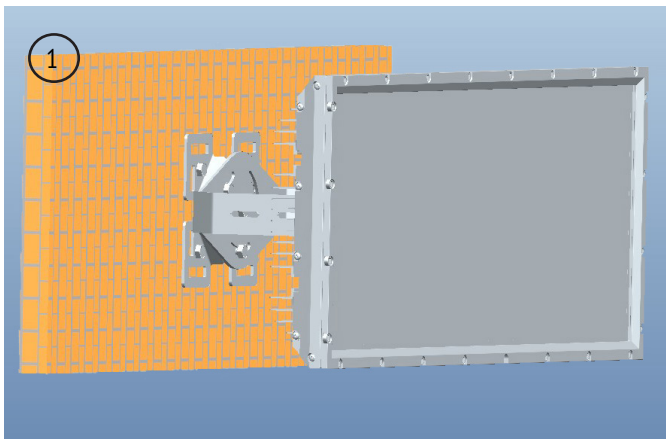
INSTALLATION OPTIONS

POLE OR ARM MOUNTING



Use appropriate U-bolt (sold separately) for pole or arm mounting.

SURFACE MOUNTING



Use anchor bolts M8x60 (sold separately) for surface mounting.